



EOL1 Low-intensity Obstacle Lights and EFH1 Flasher

EXPLOSIONPROOF

For UL.60079-1 Standard Class I,II Div.1 and 2 Groups C,D,E,F and G

For IEC.60079-0 to 1 Standard Zone 1 and Zone 2

A QUALITY PRODUCT



Technical data

- Type of Protection: Ex d IIA T6
- Conforming to : Standards IEC 60079-0 to 1 or UL 60079-1
- Marking for test : Ex II2G
- Degree of Protection : IP 65 / 66 acc.To IEC 60529
- Ambient Temp. (Ta) : -20 °C to+ 55 °C
- Rated Voltage : 12 - 24VDC. 110 - 220 V.AC. 50Hz
- Type : EOLP , EOLC , EOLB
- Lens : Acrylic plastic
- Globe : Heat and impact resistant glass
- Body and junction box : Copper-free aluminium
- Guard and screws : Stainless steel
- Protection class for UL. : Class I,II Division1 or 2 Group.C,D,E,F and G
- Protection class for IEC : Zone1and Zone 2



Pendant type

Ceiling type



Ceiling type

Applications:

The EOL1 low-intensity obstacle lights and EFH1 Flasher are suitable to use in hazardous areas where the presence of flammable gases, dusts and flyings or fibers. for marking and lighting of tall structures, buildings or use on mobile objects which intend to reduce hazards to aircraft. for outdoor and corrosive environments.

Features:

- Copper-free aluminium body and cated with epoxy-polyester for high corrosion resistant. Powder for high corrosion resistant.
- Heat and impact resistant glass globes. 100w.for only fixed light, 150W. And 1W. For halgen lamp.(see Note and Options)
- Burning lamp life is more than 2,500hrs. For 100W. Incandescent traffic signalling lamp, or more than 2,000hrs. For 150W. And 1,000hrs.
- halogen lamp. Through-feed 3/4 inch NPT standard conduit hut hub for pendant and bracket type. 3 Type pendant,celing,bracket Type
- 3/4" NPT. For ceiling and bracket type or 1/2" NPT for pendant Type

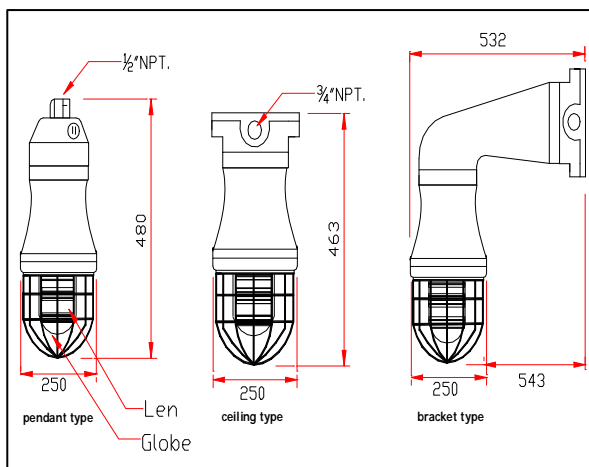
Standard Materials:

- Body - Copper-free aluminium
- Globe - Heat and impact resistant glass
- Lens - Acrylic plastic
- Guard and screws - Stainless steel

Standard Finishes:

- Copper-Free aluminium - Epoxy-polyester powder
- Stainless steel - Natural

Dimension : (in mm.)



Catalogue Numbers:

Lamp Watts	Lamp Type	Light Intensity	Flashing times/min	Pendant Type	Ceiling Type	Bracket Type
100	Incan.	10 cd.	none	EOLP1-100	EOLC1-100	EOLB1-100
150	Halogen		70 - 75	EFHP1-150	EFHC1-150	EFHB1-150
1	Halogen	-	30 - 35	EFHP1-001	EFHC1-001	EFHB1-001



ISO9001:2008

Note :

Adding suffix for lens colour to Cat.,No. R - Red, O - Orange, C - Clear, B - Blue

★ Adding suffix - H to Cat.,No. for integral flasher circuit assembly into fixture body.